

*SpyWire is designed for spying data traffic over SpaceWire links:*

- *Two independent SpaceWire links can be spied and recorded,*
- *Testing and debugging SpaceWire communication protocols,*
- *Simulation of SpaceWire failure modes (errors generation).*

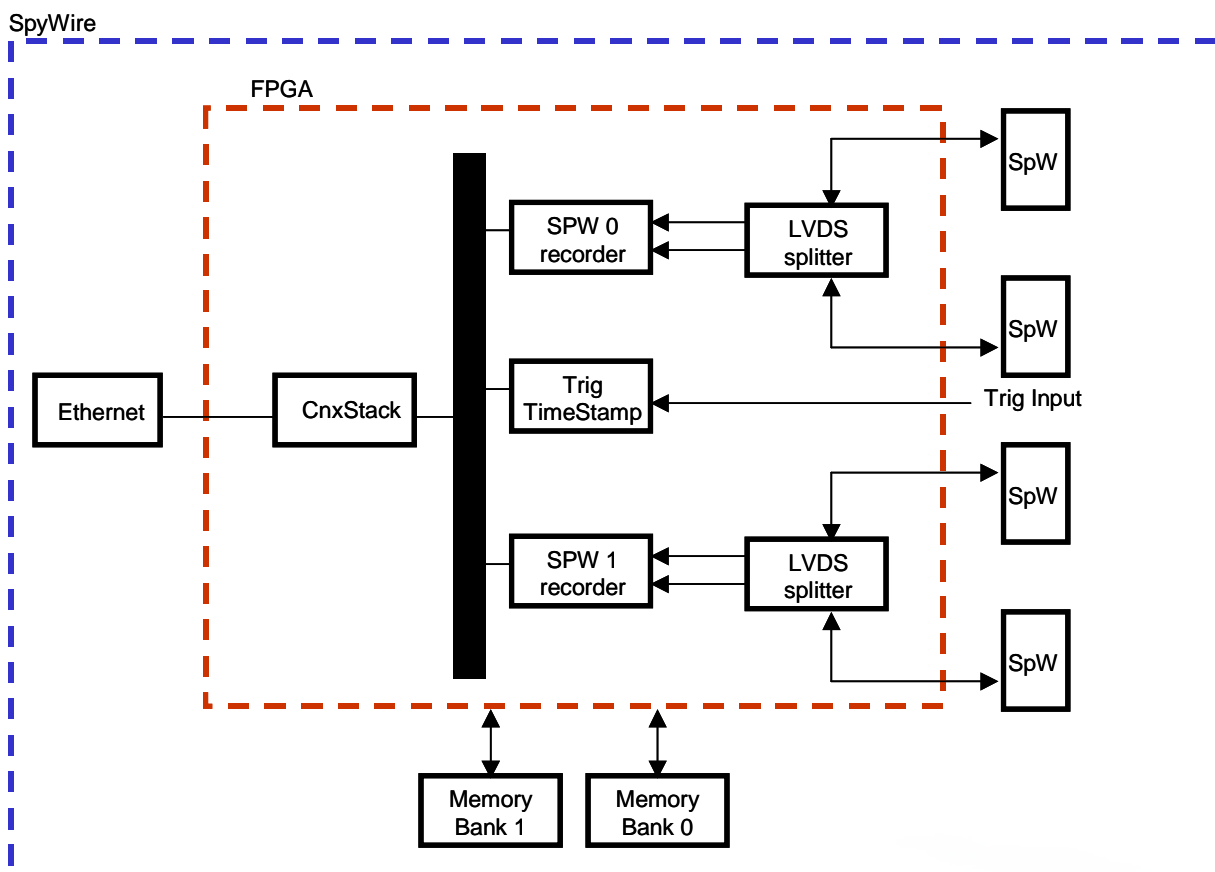
### Features

Support for up to 2 SpaceWire interfaces  
Speed link: from 2Mbps up to 225Mbps  
Data strobe decoding  
SpaceWire error generator  
Hardware data recording : 1Gbit onboard memory  
Host communication via Ethernet UDP/IP protocol

### Applications

- ESA, NASA and JAXA applications
- Satellite test and integration
- ECSS-E-50-12A SpaceWire protocol compliant
- Industrial equipments in aluminium case
- Also available with PCIe interface and form factor

### Block diagram architecture



### Software environments

- Drivers and Application Programming Interface for Windows and Linux OS
- Demonstration software for Windows and Linux OS
- All datasheets and documentations

ingespace 

6 rue de l'Ourmède  
31621 EUROCENTRE  
T. +33 (0)531.081.618  
contact@ingespace.com